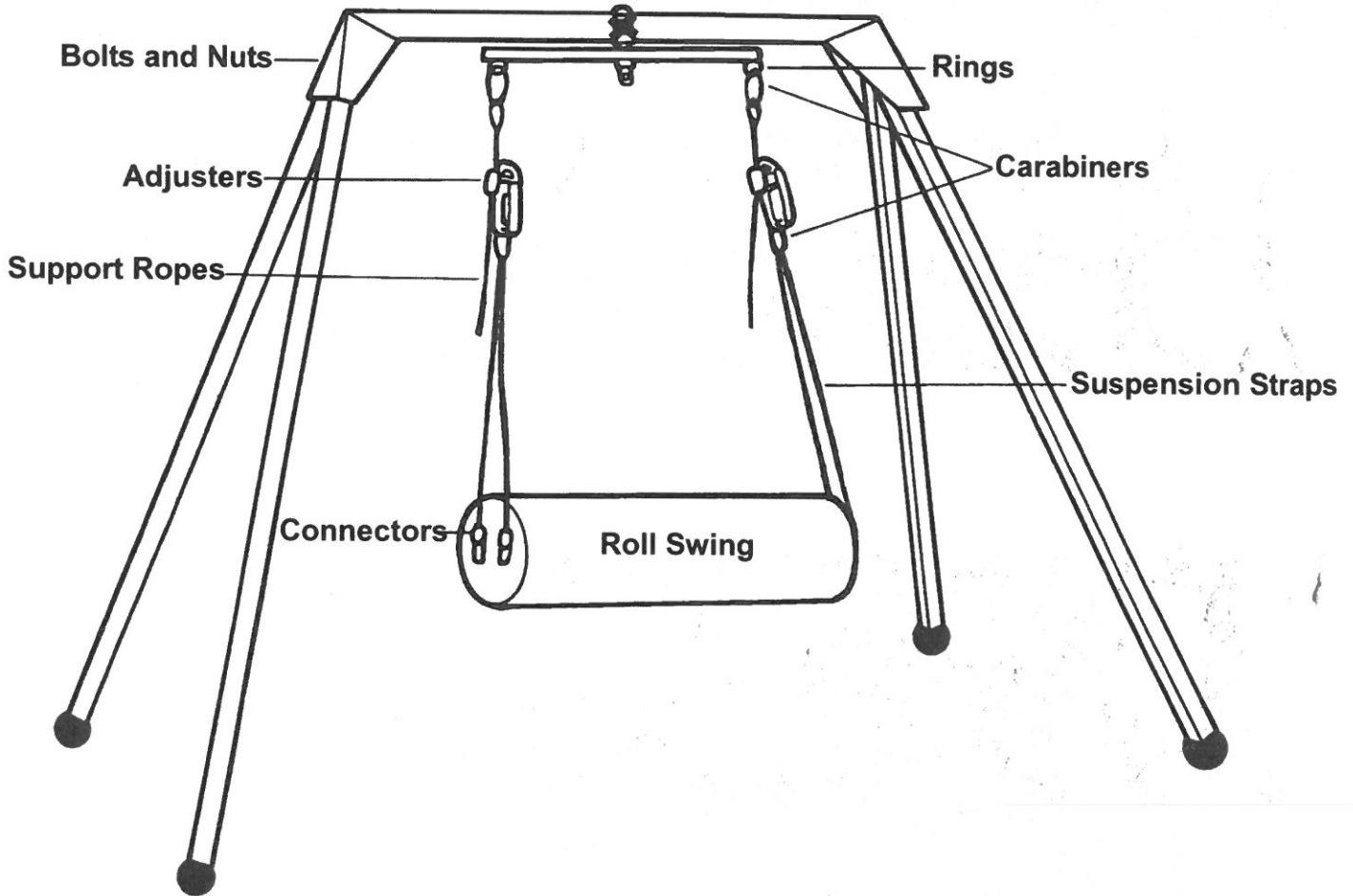


## Vestibulator II<sup>®</sup> Safety Note

Tumble Forms 2 Deluxe Vestibulator II frame has a working load of 300 lbs.  
Tumble Forms 2 Vestibulator II should be used only with Tumble Forms 2 Accessories including the following:

2772P - Platform Swing  
2772D - Flexi Disk  
2772H - Roll Swing  
2772N - Prone Net Swing

2772S - Net Swing with Positioning Seat  
5568-23 - 36" Horse Roll  
5568-24 - Free Swing  
5568-25 - 5' Platform Swing



Use floor mats. Never leave your client unattended. **Please check your equipment regularly and replace any parts that show excessive wear. If there is any question of your client's safety, don't take a chance.**

**Recommended for use under the supervision of a healthcare professional.**

Manufactured for:

MADE IN THE USA

LIT 47  
REV D

**PH**  
**PERFORMANCE  
HEALTH**

W68 N158 Evergreen Blvd.  
Cedarburg, WI 53012

For Replacement Parts

Call toll free:

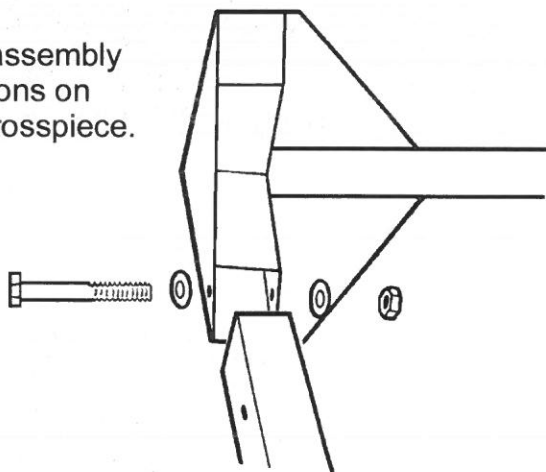
**1-800-323-5547**

In Canada call 1-800-655-9200

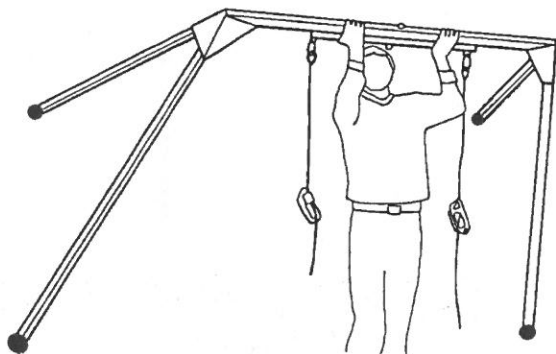
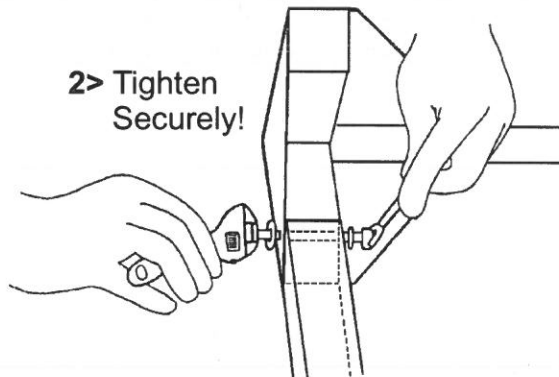


## Assembly Instructions

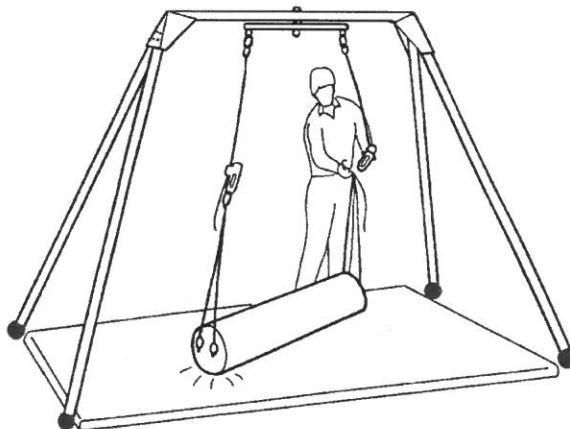
1> Follow assembly instructions on frame crosspiece.



2> Tighten Securely!

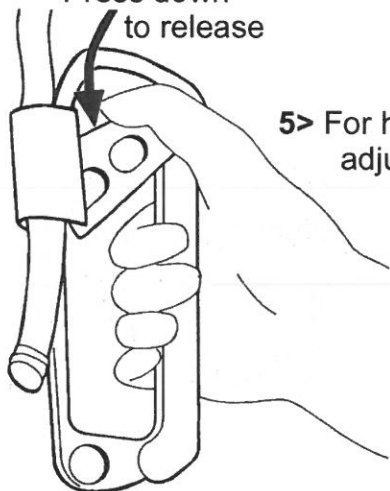


3> Lift into upright position.



4> With mat in place attach appropriate swing.

Press down to release



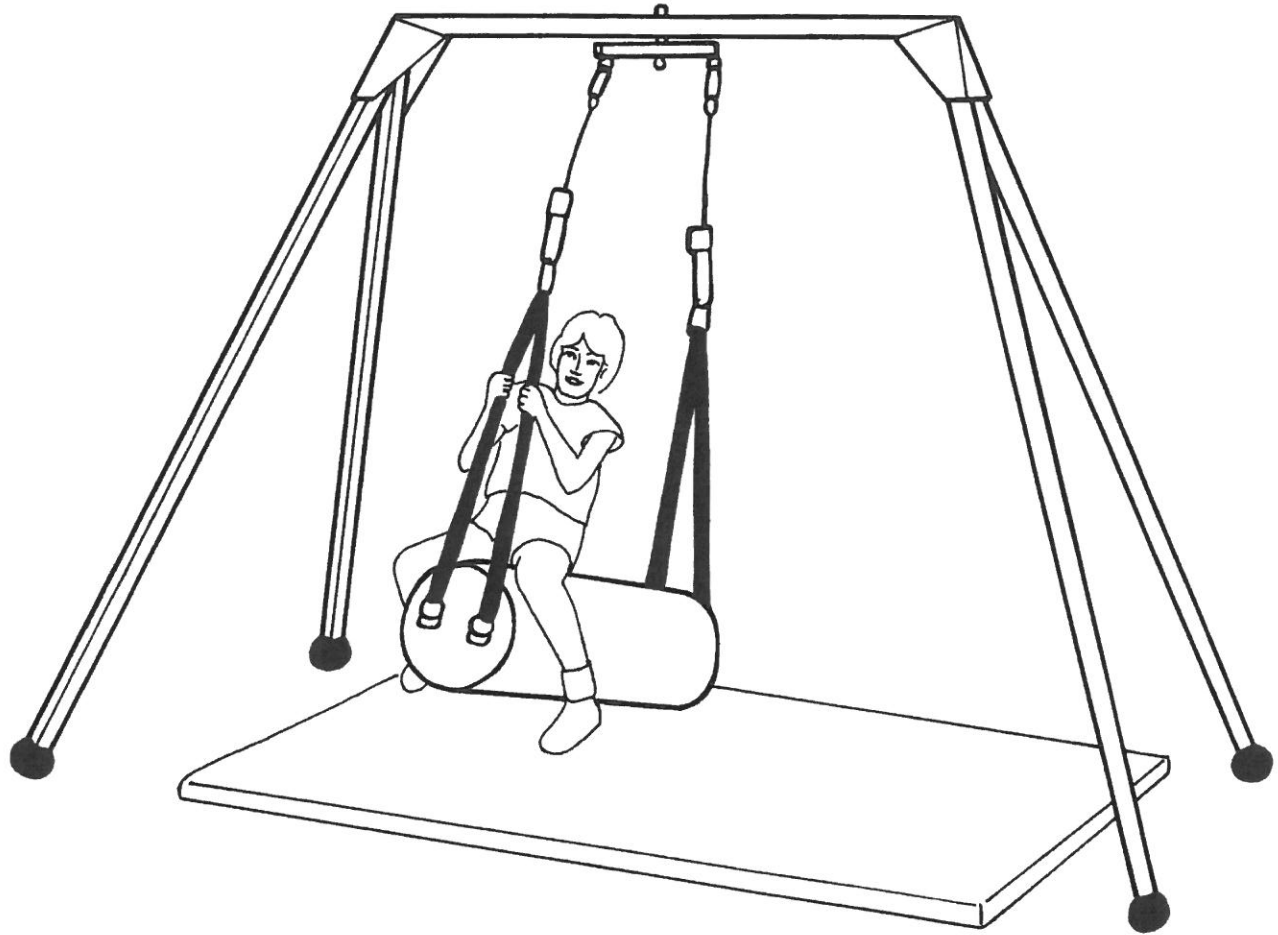
5> For height adjustment



6> Adjust height and position client

**Tumble  
Forms<sup>2</sup>**  
With Anti-Microbial  
Protection

## Vestibulator II<sup>®</sup> 36" Horse Roll



### 36" Horse Roll Swing Safety Notes

The Tumble Forms 2<sup>®</sup> 5568-23 Horse Roll Swing should only be used with the Tumble Forms 2<sup>®</sup> Vestibulator II, III and IV frames. The maximum weight limit for any combination of client and therapist performing activities on the suspended roll swing should not exceed 250 lbs. Use floor mats. Never leave your client unattended. **Please check your equipment regularly and replace any parts that show excessive wear. If there is any question of your client's safety, don't take a chance. Recommended for use under the supervision of a healthcare professional.**

Manufactured for:

MADE IN THE USA

LIT 46G

**PH**  
**PERFORMANCE  
HEALTH**

W68 N158 Evergreen Blvd.  
Cedarburg, WI 53012

For Replacement Parts

Call toll free:

**1-800-323-5547**

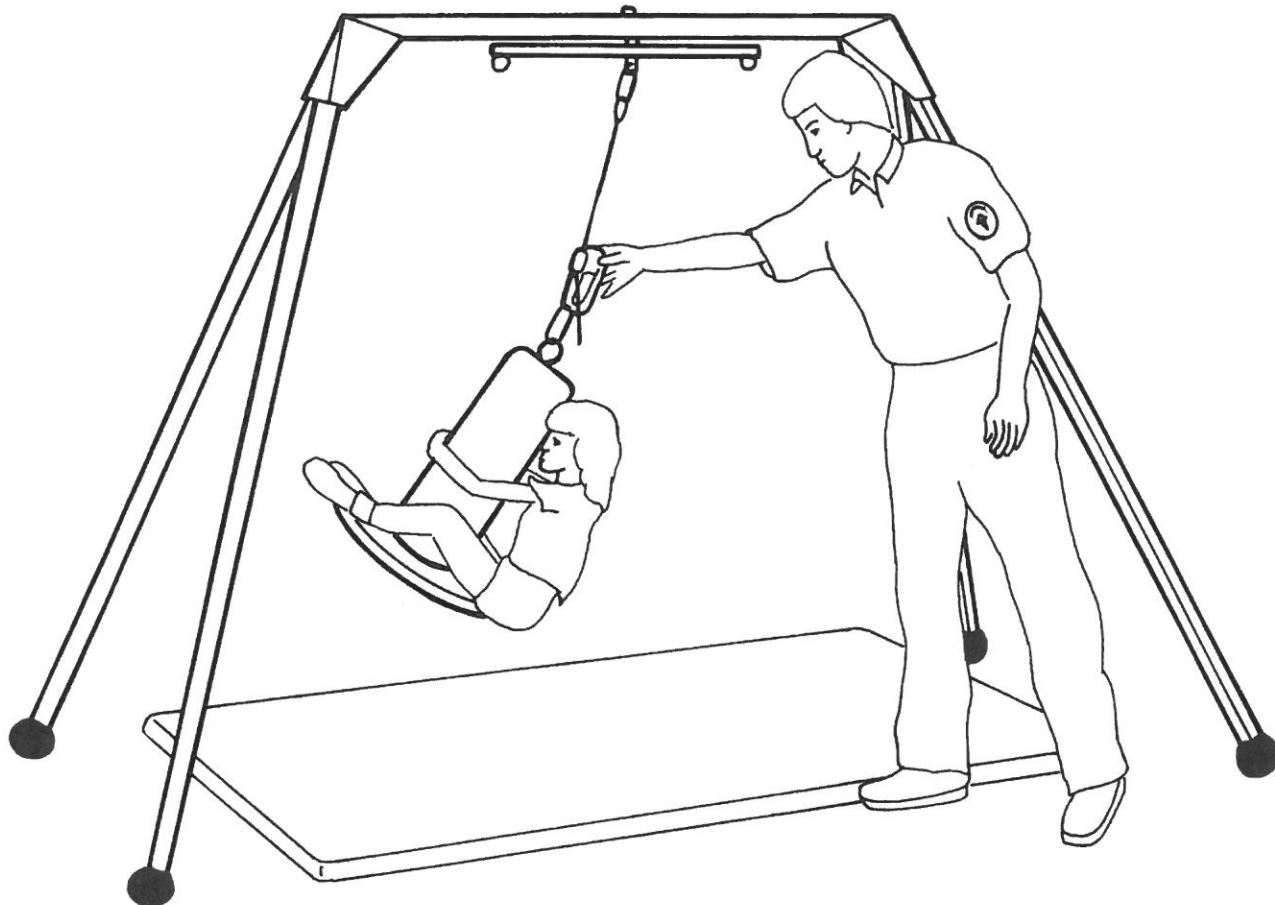
In Canada call 1-800-655-9200



**Tumble  
Forms<sup>2</sup>**

With Anti-Microbial  
Protection

## Vestibulator II<sup>®</sup> Flexi Disk



### Flexi Disk Safety Notes

The Tumble Forms 2<sup>®</sup> 2772D Flexi Disk should only be used with the Tumble Forms 2<sup>®</sup> Vestibulator II, III and IV frames. The client weight should not exceed 150 lbs. Use floor mats. Never leave your client unattended. **Please check your equipment regularly and replace any parts that show excessive wear. If there is any question of your client's safety, don't take a chance.**

**Recommended for use under the supervision of a healthcare professional.**

Manufactured for:

MADE IN THE USA

LIT 46C

**PH**  
**PERFORMANCE  
HEALTH**

W68 N158 Evergreen Blvd.  
Cedarburg, WI 53012

For Replacement Parts

Call toll free:

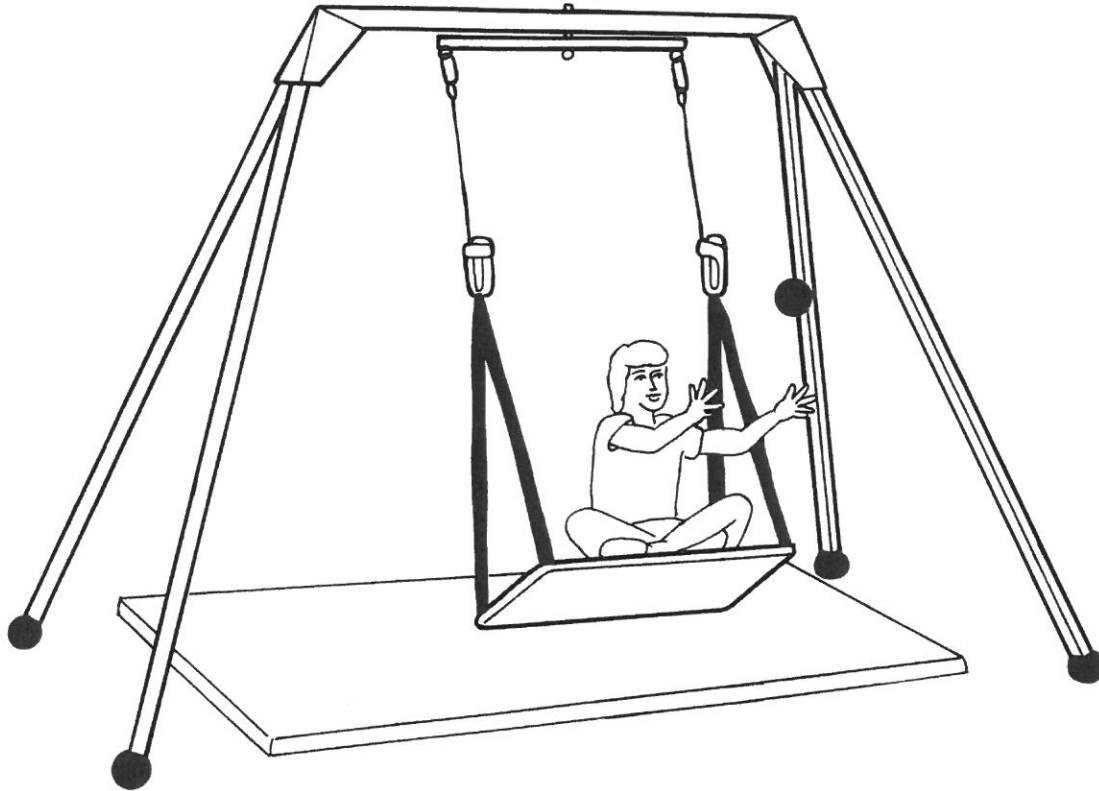
**1-800-323-5547**

In Canada call 1-800-655-9200



**Tumble  
Forms<sup>2</sup>**  
With Anti-Microbial  
Protection

# Vestibulator II<sup>®</sup> Platform Swing



## Platform Swing Safety Notes

The Tumble Forms 2<sup>®</sup> 2772P Platform Swing should only be used with the Tumble Forms 2<sup>®</sup> Vestibulator II, III and IV frames. The client weight should not exceed 150 lbs. Use floor mats. Never leave your client unattended. **Please check your equipment regularly and replace any parts that show excessive wear. If there is any question of your client's safety, don't take a chance. Recommended for use under the supervision of a healthcare professional.**

Manufactured for:

MADE IN THE USA

LIT 46B

**FP**  
**PERFORMANCE  
HEALTH**

W68 N158 Evergreen Blvd.  
Cedarburg, WI 53012

For Replacement Parts

Call toll free:

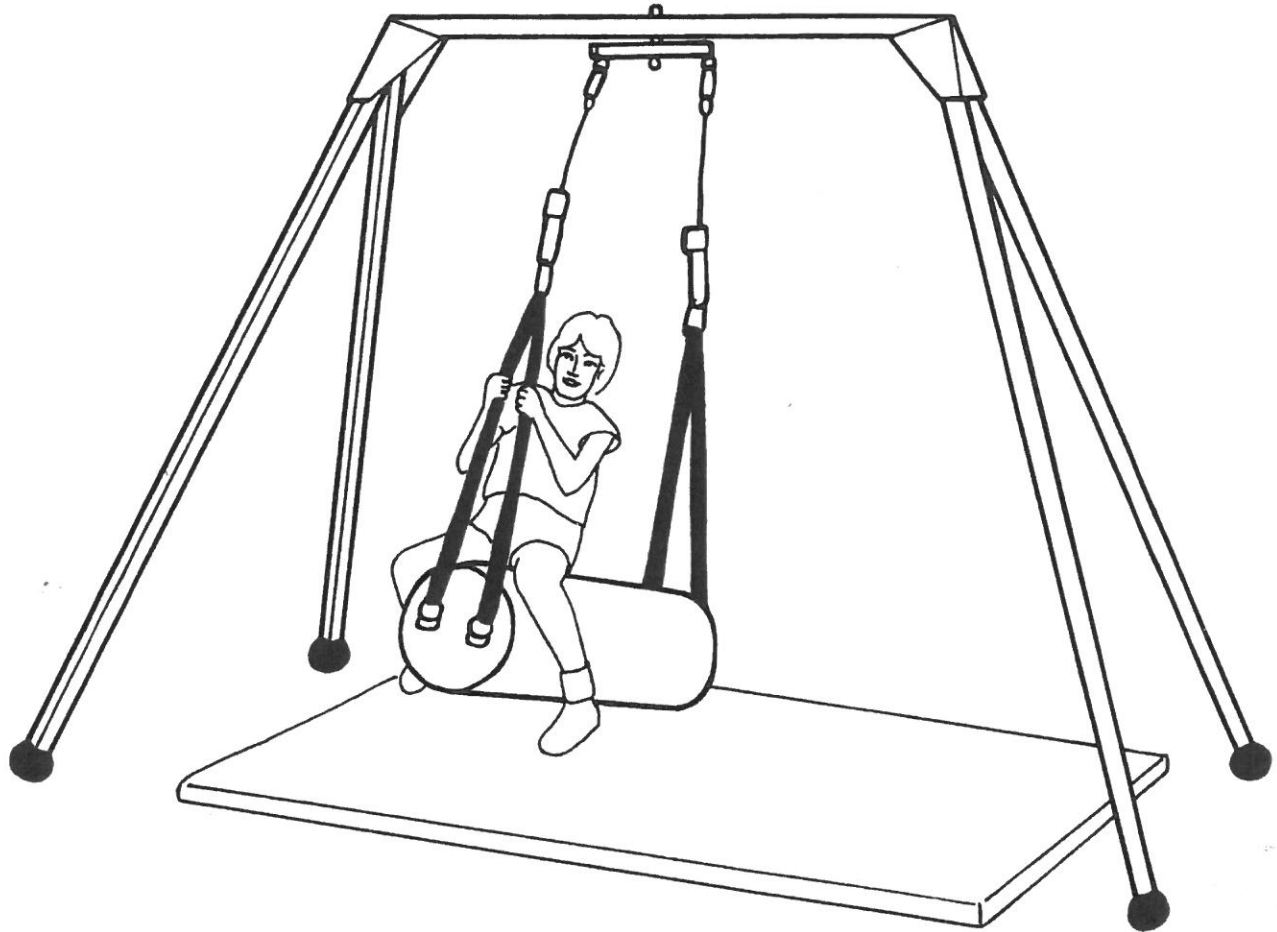
**1-800-323-5547**

In Canada call 1-800-655-9200





# Vestibulator II<sup>®</sup> Roll Swing



## Roll Swing Safety Notes

The Tumble Forms 2<sup>®</sup> 2772H Roll Swing should only be used with the Tumble Forms 2<sup>®</sup> Vestibulator II, III and IV frames. The maximum weight limit for any combination of client and therapist performing activities on the suspended roll swing should not exceed 250 lbs. Use floor mats. Never leave your client unattended. **Please check your equipment regularly and replace any parts that show excessive wear. If there is any question of your client's safety, don't take a chance. Recommended for use under the supervision of a healthcare professional.**

Manufactured for:

MADE IN THE USA

LIT 46A



W68 N158 Evergreen Blvd.  
Cedarburg, WI 53012

For Replacement Parts

Call toll free:

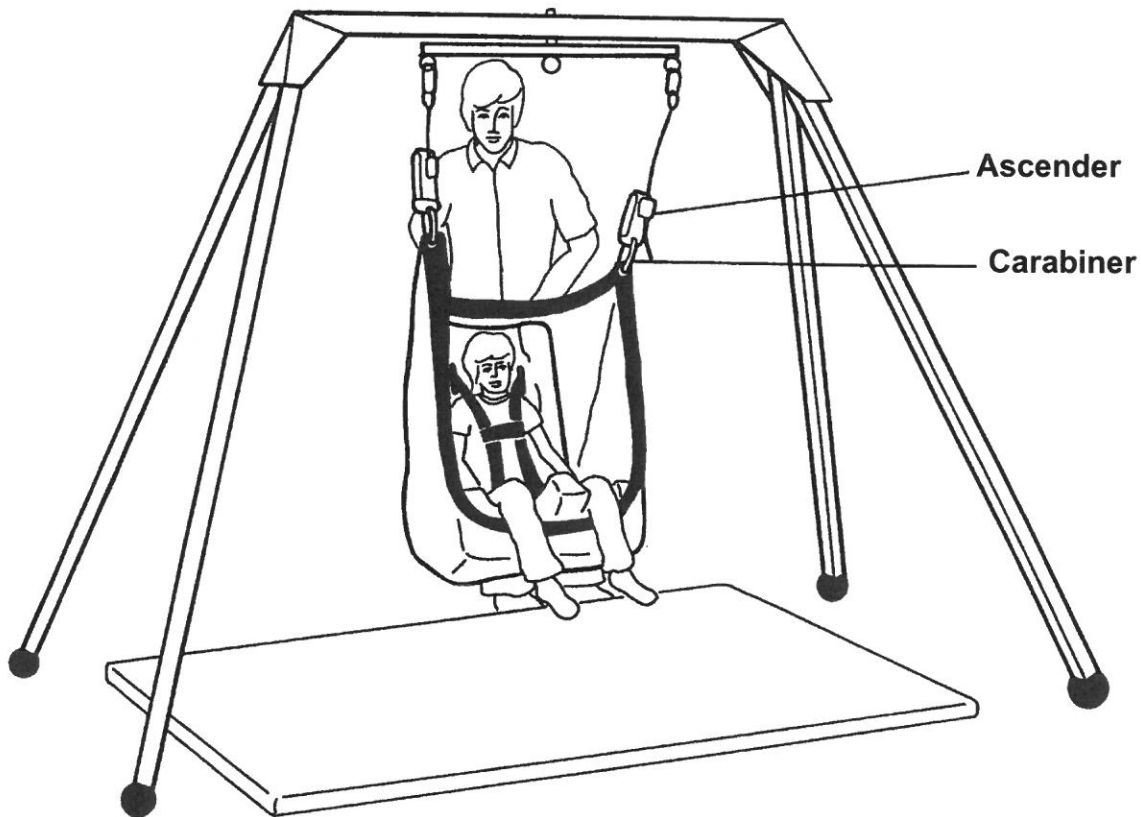
**1-800-323-5547**

In Canada call 1-800-655-9200



### Set up Instructions

- 1> Connect one carabiner snap ring to each ascender.
- 2> Recline the Feeder Seat® in the net with the lower front edge of the net covering the lower front edge of the Feeder Seat®. The back of the seat should be fully supported by the net as shown.
- 3> Lower the unit, using the ascenders, to a point where your client has easy access. Use the positioning straps to maintain your clients posture.



### Net Swing Safety Notes

The Tumble Forms 2® 2772S Net Swing should only be used with the Tumble Forms 2® Vestibulator II, III and IV frame. The client should not exceed 100 lbs in weight. Use floor mats. Never leave your client unattended. **Please check your equipment regularly and replace any parts that show excessive wear. If there is any question of your client's safety, don't take a chance.** Recommended for use under the supervision of a healthcare professional.

Manufactured for:

MADE IN THE USA

LIT 46

**PH**  
**PERFORMANCE**  
**HEALTH**

W68 N158 Evergreen Blvd.  
Cedarburg, WI 53012

For Replacement Parts

Call toll free:

**1-800-323-5547**

In Canada call 1-800-655-9200



## CAUTION

We are committed to providing you with quality products. However, we cannot take responsibility for your ceiling support system installation or maintenance of your equipment. If you are unsure of your ceiling support system, be sure to consult your building's maintenance supervisor or a rigging specialist, who can be found in the Yellow Pages.

**Please check your equipment regularly, use floor mats, and if there is any question of your client's safety, don't take a chance.**

We welcome your comments, so please feel free to contact us at:

Manufactured for:

MADE IN THE USA

LIT 45



**PERFORMANCE  
HEALTH**

W68 N158 Evergreen Blvd.  
Cedarburg, WI 53012

For Replacement Parts

Call toll free:

**1-800-323-5547**

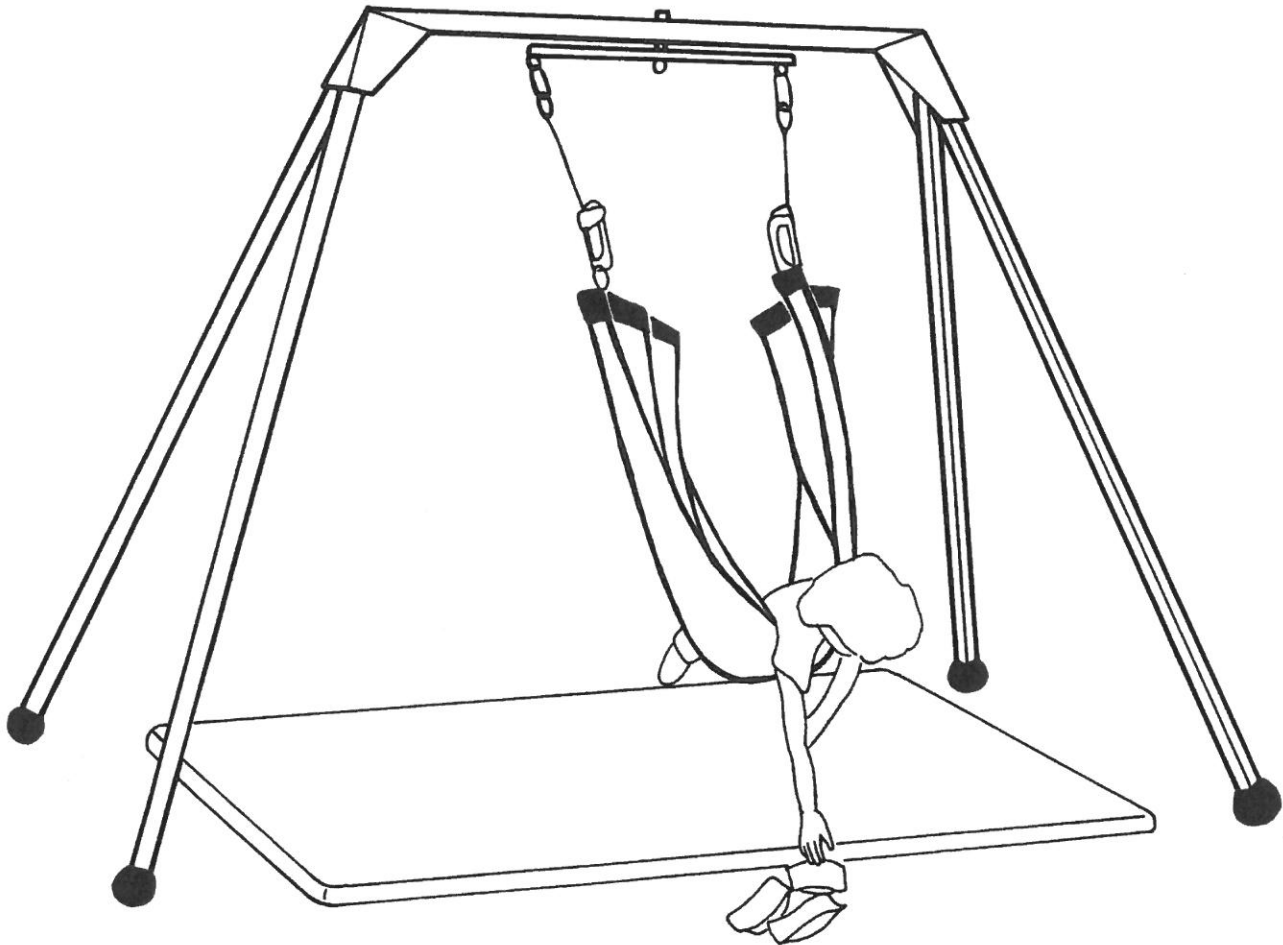
In Canada call 1-800-655-9200





**Tumble  
Forms<sup>2</sup>**

# Vestibulator II<sup>®</sup> Prone Net Swing



## Prone Net Swing Safety Notes

The Tumble Forms 2<sup>®</sup> 2772N Prone Net Swing should only be used with the Tumble Forms 2<sup>®</sup> Vestibulator II, III and IV frames. The client weight should not exceed 150 lbs. Use floor mats. Never leave your client unattended. **Please check your equipment regularly and replace any parts that show excessive wear. If there is any question of your client's safety, don't take a chance. Recommended for use under the supervision of a healthcare professional.**

Manufactured for:

MADE IN THE USA

LIT 46D

**FP**  
**PERFORMANCE  
HEALTH**

W68 N158 Evergreen Blvd.  
Cedarburg, WI 53012

For Replacement Parts

Call toll free:

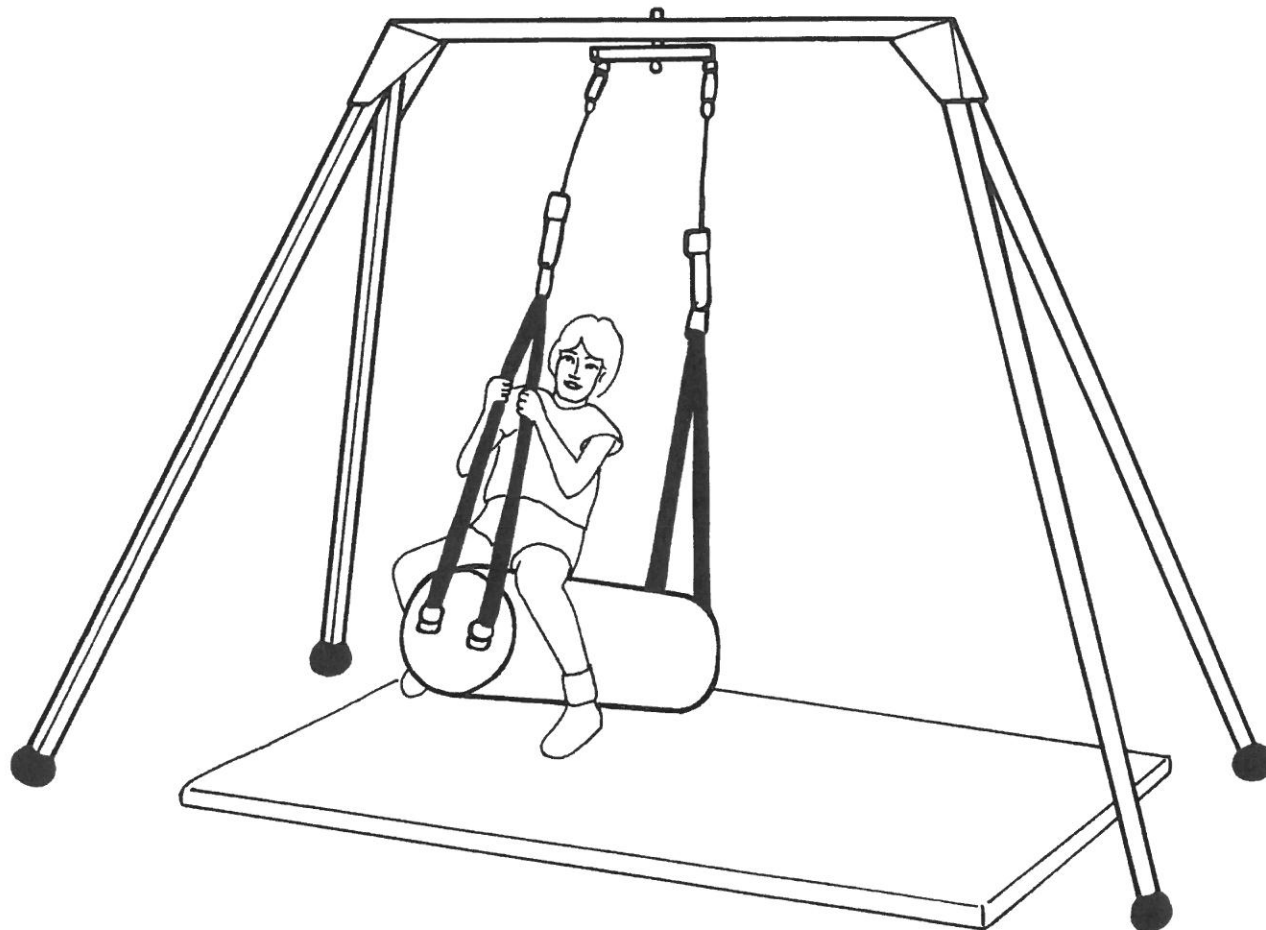
**1-800-323-5547**

In Canada call 1-800-655-9200



**Tumble  
Forms<sup>2</sup>**  
With Anti-Microbial  
Protection

## Vestibulator II<sup>®</sup> 36" Horse Roll



### 36" Horse Roll Swing Safety Notes

The Tumble Forms 2<sup>®</sup> 5568-23 Horse Roll Swing should only be used with the Tumble Forms 2<sup>®</sup> Vestibulator II, III and IV frames. The maximum weight limit for any combination of client and therapist performing activities on the suspended roll swing should not exceed 250 lbs. Use floor mats. Never leave your client unattended. **Please check your equipment regularly and replace any parts that show excessive wear. If there is any question of your client's safety, don't take a chance. Recommended for use under the supervision of a healthcare professional.**

Manufactured for:

MADE IN THE USA

LIT 46G

**FP**  
**PERFORMANCE  
HEALTH**

W68 N158 Evergreen Blvd.  
Cedarburg, WI 53012

For Replacement Parts

Call toll free:  
**1-800-323-5547**

In Canada call 1-800-655-9200

